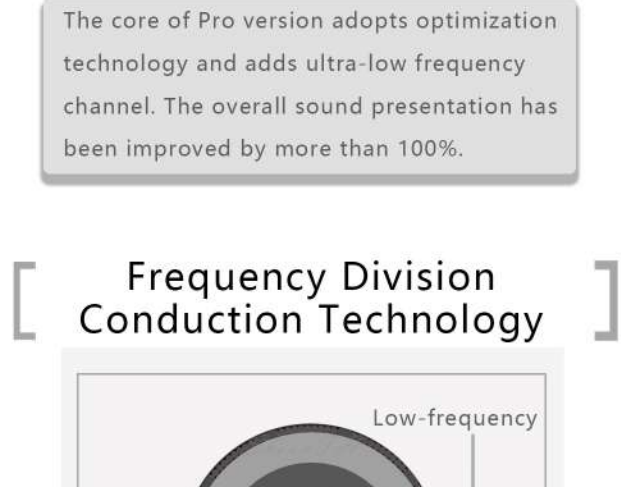
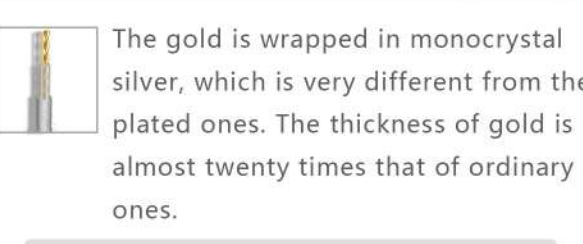




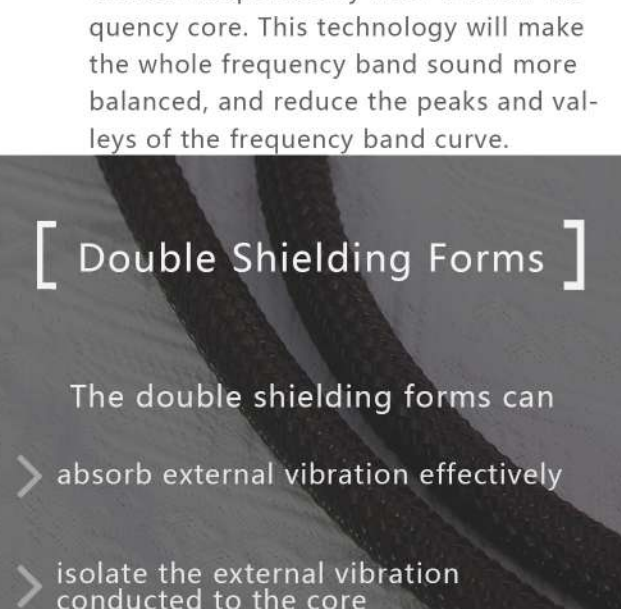
- Glorious - Pro



Key Technologies



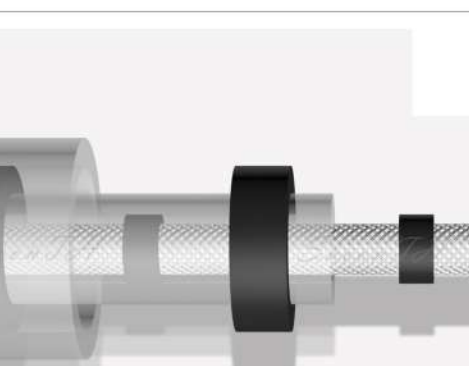
[Gold Wrapped Monocrystal Silver Core]



The gold is wrapped in monocrystal silver, which is very different from the plated ones. The thickness of gold is almost twenty times that of ordinary ones.

The core of Pro version adopts optimization technology and adds ultra-low frequency channel. The overall sound presentation has been improved by more than 100%.

[Frequency Division Conduction Technology]



The calculated diameter is applicable to the high-frequency core, which is processed independently from the low-frequency core. This technology will make the whole frequency band sound more balanced, and reduce the peaks and valleys of the frequency band curve.

[Double Shielding Forms]



The double shielding forms can

- > absorb external vibration effectively
- > isolate the external vibration conducted to the core
- > reduce the distortion of music details

[Double Wave-Absorbing Brackets]



Invention patents number: 201811287781.1



Electromagnetic interference and mechanical vibration interference can make music noisy, loose and hazy especially at low frequencies. This technology can effectively absorb electromagnetic interference and mechanical vibration interference.

The Pro version optimizes the absorbing supports' material and structure, so as to broaden the range of electromagnetic wave absorption functions.

[-196°C Three-Stage Low-Temperature Freezing Treatment]



Invention patents number: 202110279086.6



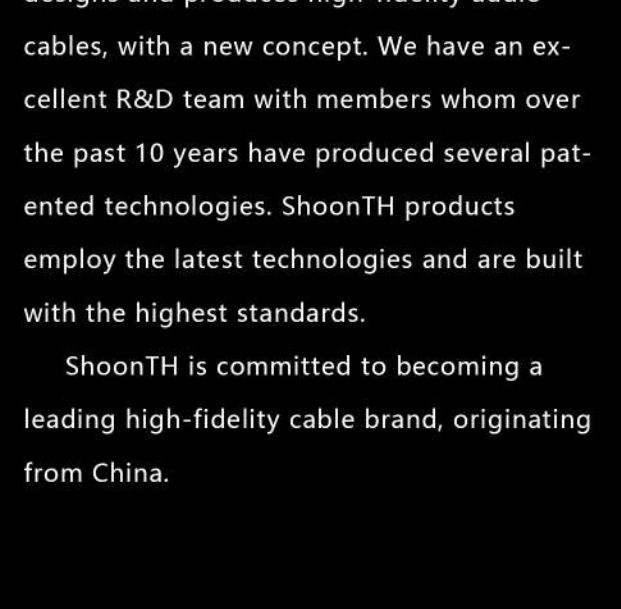
The whole cable and plugs are processed by three stages Cryo-treatment at -196°C. Three-stage Cryo treatment, can strengthen the metal structure to be a long crystal-line state, which is smoother than before, so as to increase the rigidity of metal, and stability of electron mobility.

[Silicone Shockproof Sleeve]



ShoonTH originally use silicone shockproof sleeve. This process method can make the whole cable softer, and more resistant to high temperature and high pressure. It can greatly absorb vibration and reduce vibration transmission. Relatively speaking, the insulation coefficient is better.

[Original Design Splitter and Plug Shell]



Rhodium plating plug This can make the whole cable has better presentation in medium and high frequency.

[Photographs]

※Other lengths can be customized

SHOONTH Company Profile

ShoonTH Technology Co., Ltd. develops, designs and produces high-fidelity audio cables, with a new concept. We have an excellent R&D team with members whom over the past 10 years have produced several patented technologies. ShoonTH products employ the latest technologies and are built with the highest standards.

ShoonTH is committed to becoming a leading high-fidelity cable brand, originating from China.